

Data Sheet – PTFE Coupling, T-Piece & Elbow Guards

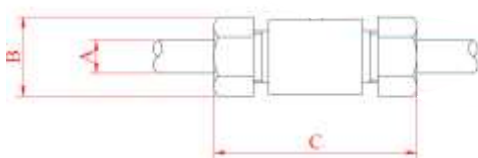
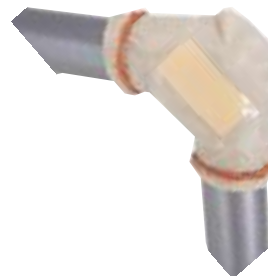
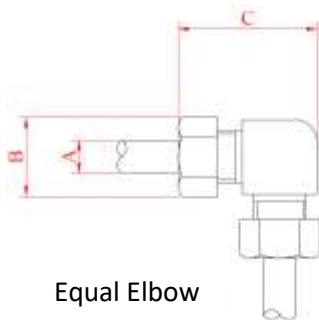
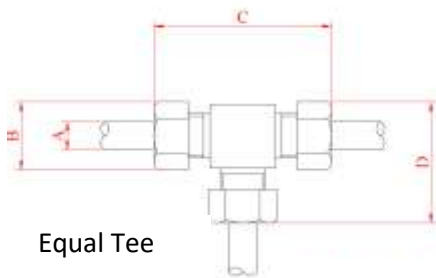
Ideal for Acid / Caustic / EI15 Oil and Diesel mist prevention

The PTFE shield is manufactured from 3 layers of Teflon coated fibreglass, with an additional thick Teflon central scrim for added strength. All stitching is 100% Teflon coated fibreglass thread.

The easy to fit, lock tight, fastening system comprises a Velcro strip coupled with a braided 100% Teflon coated fibreglass draw string. When tightened, the fabric is drawn over the flange bolts toward the pipe wall thus eliminating a lateral spray out.

Specification

Material / Stitching	:	PTFE
Draw strings	:	PTFE
Max. Temperature	:	232 Deg C
Flange Ratings	:	ANSI / DIN / BS
Leak Detection	:	Visual Litmus paper



Flangeguards Ltd

Unit 5, Cranes Close,
Basildon,
Essex, SS14 3JB
01268 244369
sales@flangeguards.com

Delivery

Most shield materials and sizes are available ex-stock.
Call 01268 244369 to confirm current stock levels – or e-mail
sales@flangeguards.com