

## Data Sheet – PTFE Clear Coupling, T-Piece & Elbow Guards

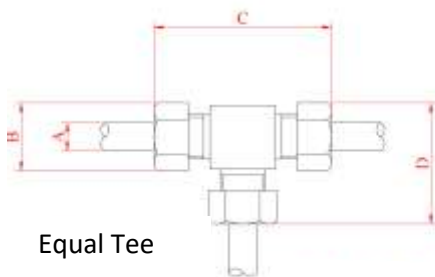
Ideal for Acid / Caustic / EI15 Oil and Diesel mist prevention

The PTFE-Clear shield is manufactured from Teflon coated fibreglass, with wide central band of clear Teflon (ECTFE). This permits visual inspection of the expansion joint. Stitching is Teflon coated glass thread.

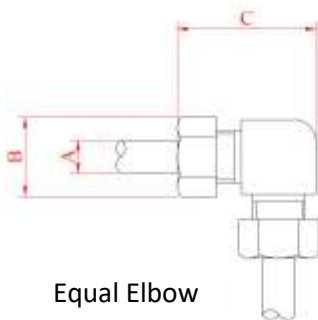
The easy to fit, lock tight, fastening system comprises a Velcro strip coupled with a braided 100% Teflon coated fibreglass draw string. When tightened the fabric is drawn over the flange bolts toward the pipe wall thus eliminating a lateral spray out. For a detailed quotation please confirm dimensions below.

### Specification

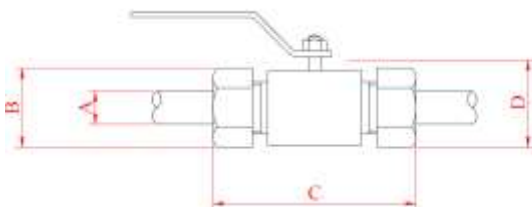
|                      |   |                    |
|----------------------|---|--------------------|
| Material / Stitching | : | PTFE + ECTFE clear |
| Draw strings         | : | PTFE               |
| Max. Temperature     | : | 150 Deg C          |
| Flange Ratings       | : | ANSI / DIN / BS    |



Equal Tee



Equal Elbow



Couplings & Threaded valves



### Flangeguards Ltd

Unit 5, Cranes Close,  
Basildon,  
Essex, SS14 3JB  
01268 244369  
sales@flangeguards.com

### Delivery

Most shield materials and sizes are available ex-stock.  
Call 01268 244369 to confirm current stock levels – or e-mail  
[sales@flangeguards.com](mailto:sales@flangeguards.com)