

## Data Sheet – PTFE Clear Diaphragm Valve Guards

Ideal for Acid / Caustic / E15 Oil and Diesel mist prevention

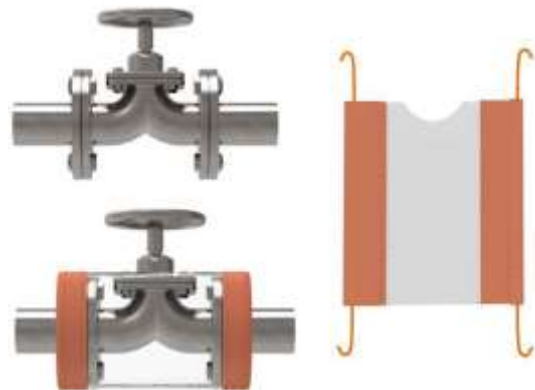
The PTFE-Clear shield is manufactured from Teflon coated fibreglass, with wide central band of clear Teflon (ECTFE). This permits visual inspection of the expansion joint. Stitching is Teflon coated glass thread.

The easy to fit, lock tight, fastening system comprises a Velcro strip coupled with a braided 100% Teflon coated fibreglass draw string. When tightened the fabric is drawn over the flange bolts toward the pipe wall thus eliminating a lateral spray out.

For a detailed quotation please confirm Pipe NB & Rating.

### Specification

Material	:	PTFE + ECTFE
Stitching	:	PTFE
Draw strings	:	PTFE
Max. Temperature	:	150 Deg C
Flange Ratings	:	ANSI / DIN / BS
Sizes	:	½" to 48"
Leak Detection	:	Visual
Typical Applications	:	Oil (fuel,lube,seal, etc) Acids, Caustics, Corrosives



#### 1. Central Clear ECTFE Material

Added safety & continued visual inspection. Other shield designs use FEP as clear section, which can 'cloud' over time, becoming opaque, and difficult to see through.

#### 2. Teflon Coated Pull Cord

Provides a strong, re-usable tie down.

#### 3. Teflon Thread

Better resistance against corrosive atmospheres. Other shields use cotton threads which disintegrate quickly.

#### 4. Highly Visible Orange PTFE Teflon Material

Provides a strong, corrosion resistant material to hold the ECTFE in place & wrap tight against the pipe wall.

### Flangeguards Ltd

Unit 5, Cranes Close,  
Basildon,  
Essex, SS14 3JB  
01268 244369  
sales@flangeguards.com

### Delivery

Most shield materials and sizes are available ex-stock.  
Call 01268 244369 to confirm current stock levels – or e-mail  
[sales@flangeguards.com](mailto:sales@flangeguards.com)